

CARD GUIDES, UNI-GUIDES

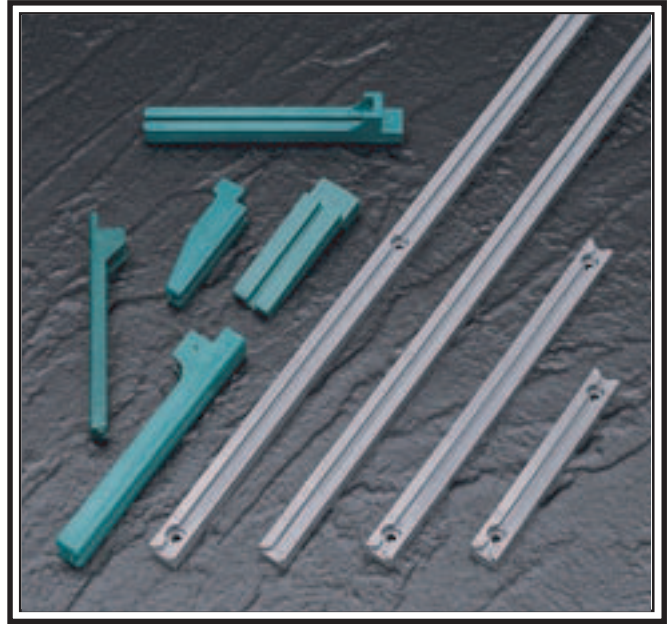
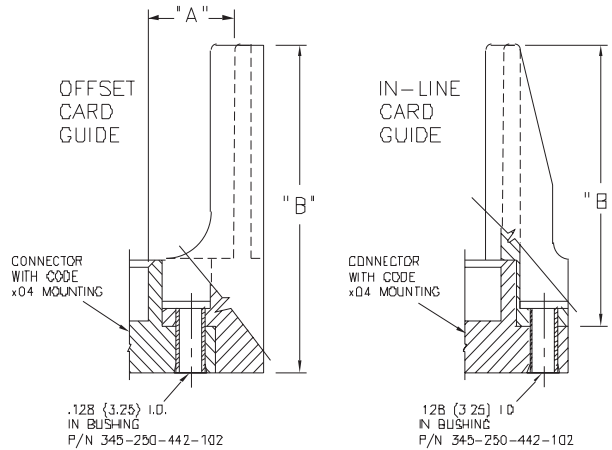
Card Guide Series 307, 317, 345, 346, 616

307/317/345/346 SERIES CARD GUIDE FEATURES

- Accepts .062 (1.57) Nominal Thickness P.C. Board
- For Field Assembly of Card Guides to a Connector with Code 04 Mounting - .156 (3.96) Dia. Mounting Holes. Use an Alignment Bushing Part Number 345-250-442-102, a Hex or Round Head Screw, Washer and Nut to hold the Assembly to a Circuit Board.

SPECIFICATIONS

- ◆ Guide Material: Thermoplastic Polyester, UL94V-0, Colour: Green, Black Colour Available Upon Request
- ◆ Operating Temperature: -65 to +105 Degrees C



307/317/345/346 SERIES CARD GUIDES

Part Number	Style	"A"	"B"	Used for Connector Series
307-220-058	Offset	.468 (11.89)	3.000 (76.20)	305, 306, 307, 315,
307-220-068	Offset	.344 (8.74)	2.750 (69.85)	316, 337, 338, 355,
307-220-078	In-Line	— —	1.550 (39.37)	356, 357, 387
317-220-078	In-Line	— —	1.712 (43.48)	317
345-220-058	Offset	.468 (11.89)	3.000 (76.20)	345, 395
345-220-078	In-Line	— —	2.750 (69.85)	
345-220-088	In-Line	— —	1.250 (31.75)	
346-220-058	Offset	.468 (11.89)	3.000 (76.20)	346, 396
346-220-078	In-Line	— —	2.750 (69.85)	

Notes for Card Guides Chart

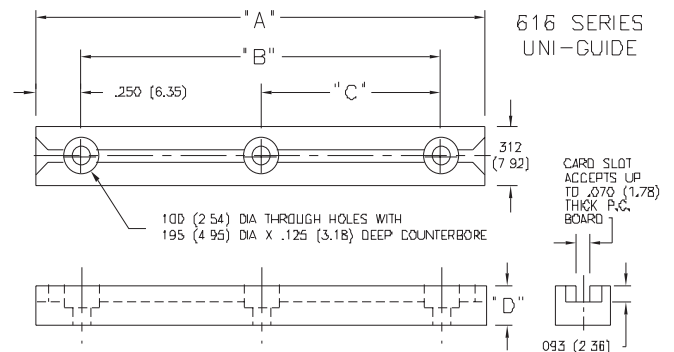
- 1) Card guide part number 307-220-078 is not suitable for 337 or 387 series connectors with flush mounting lugs.
- 2) Card guide part number 346-220-078 is not suitable for 346 or 396 series connectors with flush mounting lugs.

616 SERIES UNI-GUIDE FEATURES

- Variety of Sizes for Equipment Design Flexibility
- Accepts .062 (1.57) Nominal Thickness P.C. Board
- Supports P.C. Board and Provides Board to Connector Alignment
- May be Installed in a "Back to Back" Configuration
- Easy Installation Using .093 (2.36) Dia. Eyelets or Pop Rivets or Two Sided Tape (Very High Bond)

SPECIFICATIONS

- ◆ Uni-Guide Material: Polycarbonate, Colour: Grey
- ◆ Operating Temperature: -65 to +105 Degrees C



616 SERIES UNI-GUIDES

Part Number	"A"	"B"	"C"	"D"	Mounting Holes
616-220-301	6.375 (161.92)	5.875 (149.23)	— —	.218 (5.54)	2
616-220-302	2.500 (63.50)	2.000 (50.80)	— —	.218 (5.54)	2
616-220-303	4.500 (114.30)	4.000 (101.60)	— —	.218 (5.54)	2
616-220-304	5.500 (139.70)	5.000 (127.00)	— —	.218 (5.54)	2
616-220-305	8.000 (203.20)	7.500 (190.50)	3.750 (95.25)	.218 (5.54)	3
616-220-306	9.000 (228.60)	8.500 (215.90)	4.250 (107.95)	.218 (5.54)	3
616-220-307	11.000 (279.40)	10.500 (266.70)	5.250 (133.35)	.218 (5.54)	3
616-220-310	9.000 (228.60)	— —	— —	.141 (3.58)	0
616-220-311	9.000 (228.60)	— —	— —	.205 (5.21)	0